



RDL2S-BF-27K-WH
RDL2S-BF-30K-WH
RDL2S-BF-40K-WH
RDL2S-BF-50K-WH
RDL2S-BF-MCT-WH

2" LED RECESSED LIGHTS (BAFFLE)

ELECTRICAL SPECIFICATIONS:

- Voltage: 120VAC
- Wattage: 8W
- Power factor: >0.9
- Efficacy: 75LM/W

HOUSING SPECIFICATIONS:

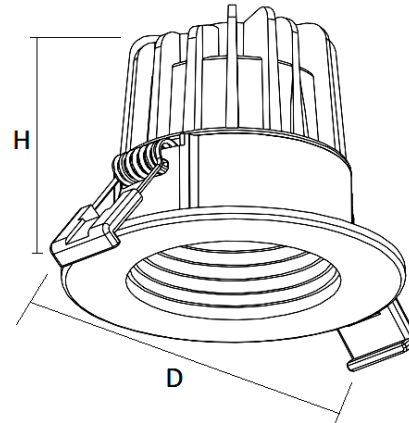
- 2" round baffle recessed light with external driver
- Finish: White
- No housing needed
- I.C. rated for direct contact with insulation
- Lifespan: 50,000 hrs.

CERTIFICATIONS: ETL



DIMENSIONS:

3.12" D X 2.5" H



MODEL	WATTS	VOLTAGE	LUMENS	COLOR TEMP
RDL2S-BF-27K-WH	8W	120VAC	600LM	2700K
RDL2S-BF-30K-WH	8W	120VAC	600LM	3000K
RDL2S-BF-40K-WH	8W	120VAC	600LM	4000K
RDL2S-BF-50K-WH	8W	120VAC	600LM	5000K
RDL2S-BF-MCT-WH	8W	120VAC	600LM	MCT

OPTIONAL ACCESSORIES:



RSL-346-RIBH

MODEL	DESCRIPTION
RSL-346-RIBH	Optional galvanized rough-in plate with bar hangers

LIGHTING SPECIFICATIONS:

- Dimming: dimmable
- Total lumens: 600LM
- Color temperature: 2700K/3000K/4000K/5000K
MCT: 3000K/4000K/5000K
- CRI: >90
- Beam Angle: 38°

WARRANTY: 5 years

